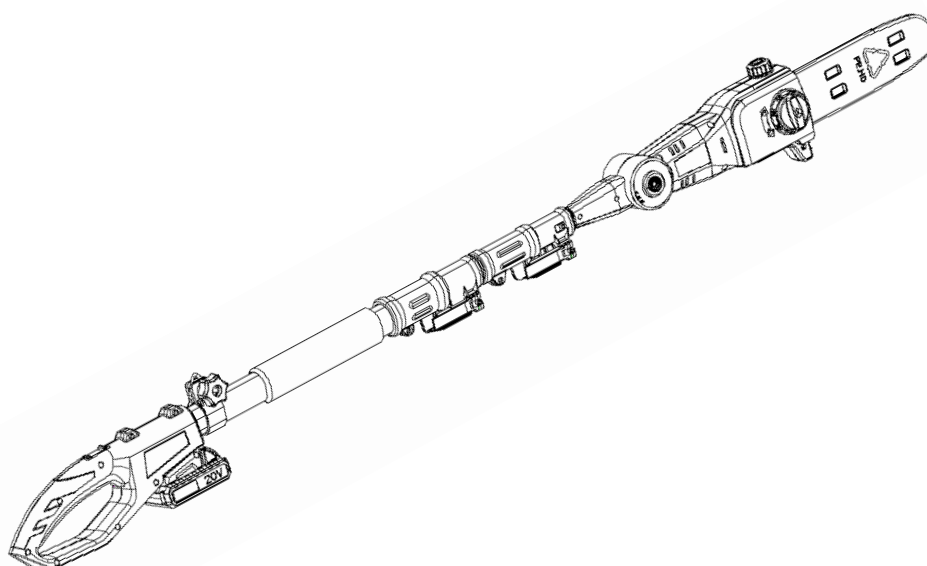




20V Cordless Telescopic Chainsaw Instruction Manual



After Sales Support
Call 0871 911 7031
Email
customerservice@gardengearonline.co.uk
Product Code G4801

Thank you for purchasing this product, which has been made to demanding high quality standards and is guaranteed for domestic use against manufacturing faults for a period of 12 months from date of purchase

For correct usage, please read these instructions carefully before use and keep in a safe place for future reference.



INTRODUCTION

Congratulations

You have made an excellent choice with the purchase of this quality Garden Gear product.

By doing so you now have the assurance and peace of mind which comes from purchasing a product that has been manufactured to the highest standards, performance and safety.

We want you to be completely satisfied with your purchase, so this Garden Gear product is backed by our full 12 month manufacturers guarantee and an outstanding after sales service through our dedicated Helpline.

We hope you enjoy using your purchase for many years to come.

Contents

2. Introduction
3. Technical specifications
4. Safety information and general warnings
6. Safety symbols and their meanings
7. Description of parts
7. Assembly
11. Adjusting cutting length
11. Adjusting cutting angle
11. Adding lubricant
12. Operating the chainsaw
13. Sharpening the chain
14. Storage
14. Troubleshooting
14. Care and maintenance
15. Li-Ion battery care and maintenance
16. Declaration of conformity
17. Guarantee

Technical specifications

Battery voltage	DC 20V
No-load speed	5.5m/s
Sawing length (max.)	180mm
Battery capacity	2.0Ah
Charging time	4 hours

A-weighted sound pressure level LpA	79.5 dB (A)
Uncertainty KpA	3 dB
A-weighted sound power level LwA	94.0 dB (A)
Uncertainty KwA	3 dB
Vibration a _h	1.79 m/s ²
Uncertainty K	1.5 m/s ²

Safety information and general warnings

- Remove all packaging and make sure that the product is intact. Do not leave packaging materials like bags and staples within the reach of children and pets.
- This appliance is approved solely for use in accordance with the description and safety instructions specified in this user manual.
- Read through these instructions fully before using the product.
- Wear appropriate personal protective clothing during use, including hearing protection, a dust mask and gloves.
- Wear solid, closed in shoes with a good grip when using the power tool.
- Do not use if any parts are damaged, always consult a qualified repair person.
- Do not use in wet weather, wet areas or in areas where gases or other flammable materials are stored.
- Not suitable for use in frozen or snowy conditions.
- Keep children and pets well away from the working area.
- Tie long hair back and remove any loose jewellery before use.
- Only use the power tool in a well-lit area.
- When not in use store in a cool dry area and out of reach of children.
- Keep the power tool in good clean condition.
- Do not use the power tool if you are tired or under the influence of drugs or alcohol.
- If the blades strike a foreign object, turn it off immediately and check for damage.
- If the power tool starts to vibrate abnormally, turn them off immediately and check for the cause.
- Wear gloves and use caution when cleaning or performing maintenance on the trimming shears.
- Do not put hands, feet or any body part or clothing near the blades
- The product is not intended for use by persons (including children) with reduced physical, sensory or mental capabilities, or lack of experience and knowledge, unless they have been given supervision or instruction concerning use of the product by a person responsible for their safety.
- Do not attempt to modify the product or use accessories. Any such modification or misuse could result in a hazardous condition leading to serious injury.
- If any parts are damaged or missing, do not operate until the parts are replaced.
- Always carry the power tool by the handle.

- Do not over reach. Always keep a firm footing and maintain balance during operation, always distribute the weight evenly on your body and reduce the possibility of strain.
- Do not use the tool if the switch fails to turn it on and off. Any machine that cannot be controlled with its switch is potentially dangerous and must be checked by a qualified electrician and repaired if necessary.
- Recharge the battery only with the charger provided. A charger that is suitable for one type of battery may create risk of fire when used with another battery.
- The supplied battery charger is only suitable for charging the power tool, it must not be used for charging any other product.
- Before each use, check the battery charger, cable and plug for signs of damage. If the battery charger is damaged, do not use it or try to repair it, always take it to your local qualified specialist.
- Make sure the power rating on the charger plug matches the outlet.
- Never modify the charger plug in any way.
- Do not use any adaptor plugs with earthed (grounded) power tools. Unmodified plugs and matching outlets will reduce the risk of electric shock.
- Never use the power cable for carrying, pulling or unplugging the charger.
- Never expose the battery charger or plug to damp or wet environments.
- When you are not using the trimming shears charger store in a safe dry place.
- Never leave a battery unattended when charging.
- Not suitable for commercial purposes.

Safety symbols and their meanings



Read the instruction manual completely before using the power tool.



Wear protective equipment such as ear defenders, a dust mask, and gloves.



Wear solid, closed shoes with a good grip.



Warning! This symbol is displayed on the appliance to remind you of the safety precautions you should take when operating the machine.



Keep hands and feet away from the blades.



Do not use the power tool near overhead electric wires. Keep at least 10 metres away.



Objects thrown by the tool could hit the user and other bystanders. Ensure that other people and pets remain at a safe distance from the tool when it is in operation. Children must not come near the tool when it is in use. Minimum distance 15 metres.



Do not expose to rain.



Only use the battery charger provided.



The product should not be disposed of with other household waste. Follow the disposal instructions within this manual.



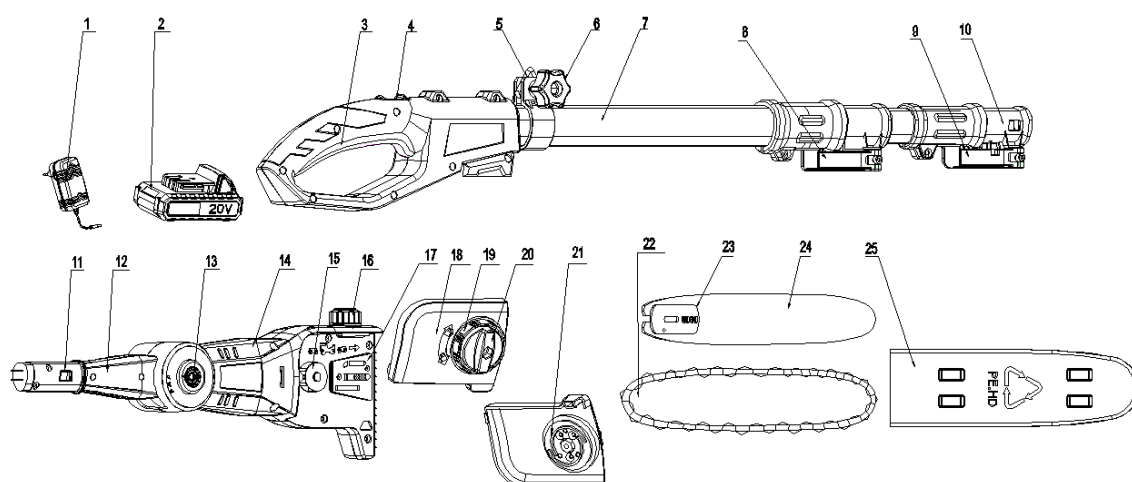
The manufacturer confirms that this power tool is in accordance with applicable European directives.



The manufacturer confirms that this power tool is in accordance with applicable UK directives.

Description of parts

- | | |
|------------------------------|---------------------------|
| 1. Charger | 14. Working head |
| 2. Battery pack | 15. Sprocket |
| 3. Switch | 16. Oil tank cover |
| 4. Switch lock | 17. Oil sealing plate |
| 5. Strap connector | 18. Chain bar cover |
| 6. Strap position lock nut | 19. Chain tightening ring |
| 7. Fixed tube | 20. Cover nut |
| 8. Lock for telescopic tube | 21. Chain tightener A |
| 9. Lock for assembly | 22. Saw chain |
| 10. Middle casing | 23. Chain tightener B |
| 11. Release button | 24. Chain bar |
| 12. Rotating handle | 25. Scabbard |
| 13. Rotating function button | |



Assembly



WARNING! This product requires assembly. Carefully remove the product and any accessories from the box. Make sure that all items listed in the packing list are included.

Inspect the product carefully to make sure no breakage or damage occurred during shipping.

Do not discard the packing material until you have carefully inspected and satisfactorily operated the product.



WARNING! If any parts are damaged or missing, do not operate this product until the parts are replaced. Failure to heed this warning could result in serious personal injury.



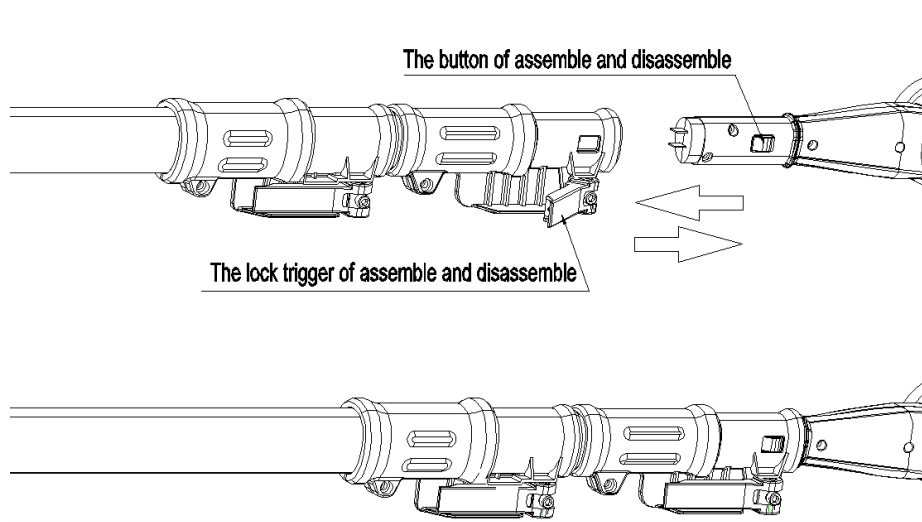
WARNING! Do not attempt to modify this product or create accessories not recommended for use with this product. Any such alteration or modification is misuse and could result in a hazardous condition leading to possible serious personal injury.



WARNING! Do not connect battery pack until assembly is complete. Failure to comply could result in accidental starting and possible serious personal injury.

Connecting the poles

1. Open the lock trigger for assembly and disassembly (9) and put the rotating handle (12) into the connecting middle casing (10). There will be audible click and you will see the release button which confirms it is in place (11).
2. Close the lock trigger of assembly and disassembly (9). **Don't forget to check it and it ensure it is properly engaged.**



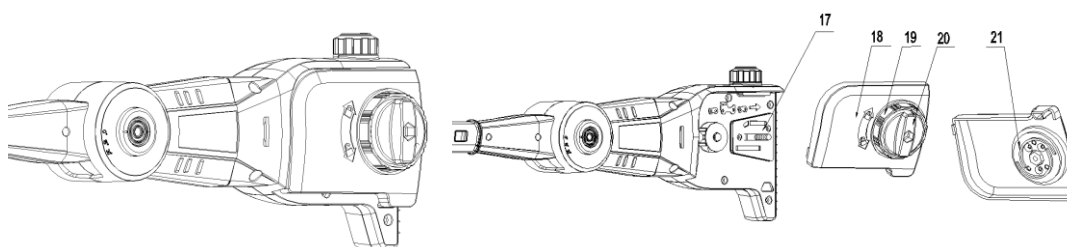
WARNING! Failure to lock the power-head pole as directed above could result in serious injury or death.

Assembling the chain bar and chain



Warning! The saw chain has very sharp edges, use thick protective gloves for safety.

1. Loosen the cover nut (20), remove the SDS control system and chain bar cover(18).



Please note that the oil sealing plate(17) must on the working head.

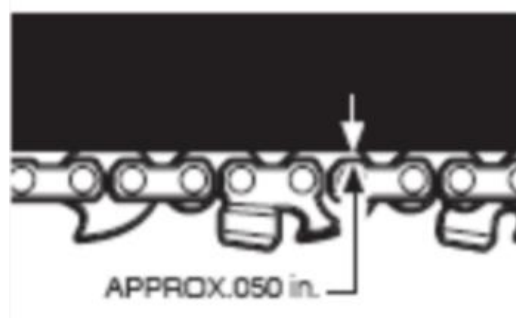
2. Position the chain bar(24) onto the working head.
3. Fit the saw chain (22) over the sprocket(15) and into the chain bar groove. The cutters on the top of the chain bar should face toward the chain bar tip, in the direction of the chain rotation. (Note: If the chain is not properly fitted over on the sprocket, the chain saw will not work and could cause serious injury).



4. Replace the chain bar cover(18) and install the SDS control system. Tighten the cover nut(20) finger tight only. The cover nut(20) is used to fasten the cover. The chain tightening piece A(21) is fixed to the cover nut(20). The chain tightening piece A(21) must coordination to the chain tightening piece B(23) which is on the chain bar(24), the chain tightening ring is used to tightening the chain. The chain bar must be free to move by chain tightening ring(19)
5. Adjust the chain tension by turning the chain tightening ring(19) until the

tie straps just touch the bottom of the chain bar rail. Turning clockwise tightens the chain tension. Then check the chain for smooth rotation and proper tension while moving it by hand (wear gloves). If necessary, readjust the chain tightening ring (but loosen the bar cover first).

6. Hold the tip of the bar up and tighten the cover nut securely.
7. Chain is correctly tightened when there is no slack on the underside of the bar, the chain is snug, but it can be turned by hand without binding. During normal operation, the temperature of the chain will increase. The drive links of a correctly tightened warm chain will hang approximately .050 in. out of the bar groove.

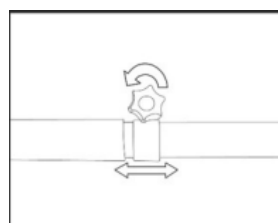
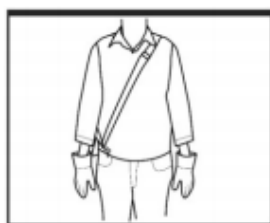
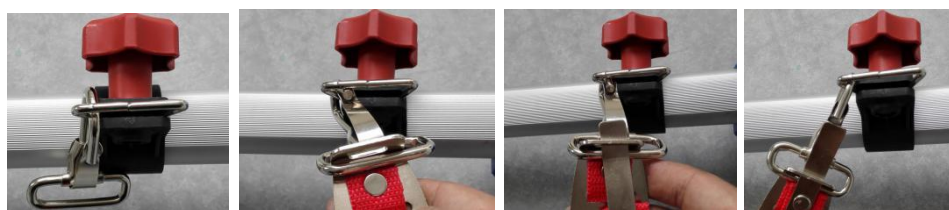


NOTE: If chain is too tight, it will not rotate. Turn adjusting chain tightening ring anticlockwise.

Assembling the shoulder strap

Always operate using the shoulder strap provided . Failure to do so could result in loss of balance and result in personal injury

Place the shoulder strap so that it runs over the left shoulder, crossing the chest and back.



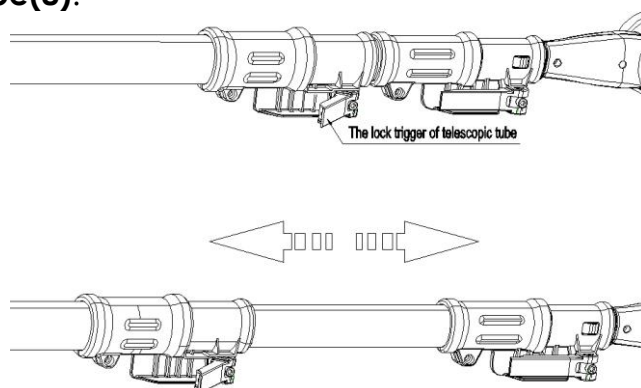
Adjust the position of the securing clip loosening the strap position lock nut(6) anticlockwise and sliding it into required position.

This unit is designed with a quick-release strap hook, pulling the bar-shaped

webbing will enable to release the strap from pole chain saw quickly in case of emergency.

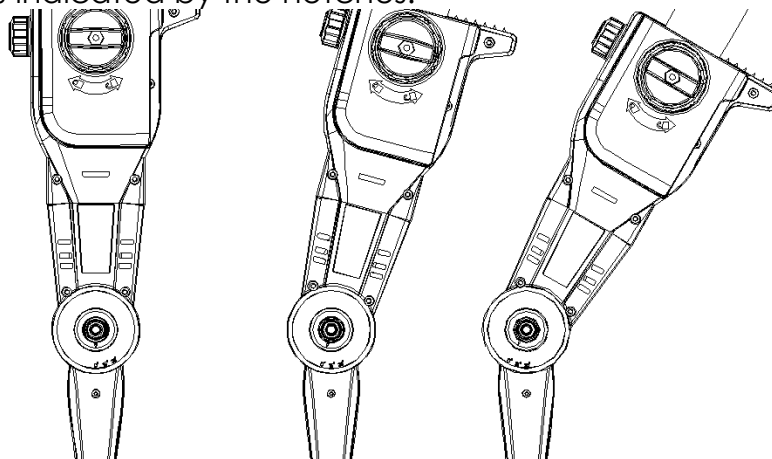
Adjusting the cutting length

To adjust the cutting length, open the lock trigger of the telescopic tube(8), and adjust to suitable height. **Attention: Don't forget to lock the lock trigger of the telescopic tube(8).**



Adjusting the cutting angle

This pole chain saw is supplied with three cutting positions for different cutting status, adjust the cutting head angle to fit the growth of the plant. Press the rotating button(13) on the left and right of the working head, and make the working head(14) revolve, until it snaps securely into place at one of the three positions indicated by the notches.



Adding the chain bar lubricant

The pole chain saw is equipped with an oil automatic system. The Chain bar and Chain must always be oil lubricated when working. Non-observance of this will result in increased wear out on the bar and saw chain.

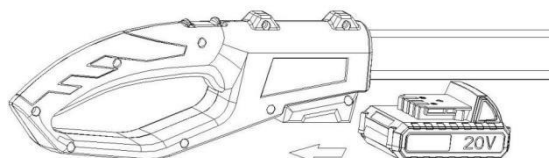
NOTE: The chainsaw is supplied with no chain oil added. Lubricant oil level should also be checked after every 10 minutes of use and refilled as needed.

1. Remove oil tank cover.
2. Carefully pour the bar and chain Lubricant oil into the tank.
3. Wipe off excess oil.
4. Check and fill the oil tank when quick view oil indicator is below the MAX indicator line.
5. Repeat as needed.

NOTE: It is normal for oil to seep from the saw when not in use. To prevent seepage, empty the oil tank after each use then run for one minute. When storing the unit for a long period of time (three months or longer) be sure the chain is lightly lubricated; this will prevent rust on the chain and bar sprocket.

Inserting the battery pack

Please insert the battery pack to the machine. Always use the correct battery pack.

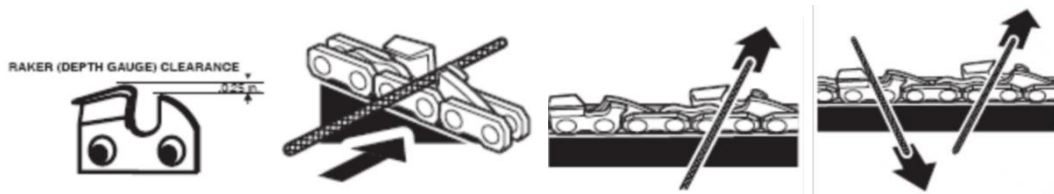


Operating the chainsaw

1. Wear non-slip gloves for maximum grip and protection.
2. Maintain a proper grip on the unit whenever the motor is running. Use your right hand to firmly grip the rear handle while your left hand has a firm grip on the pole shaft.
3. Hold unit firmly with both hands. Always keep your left hand on the pole shaft and your right hand on the rear handle, so your body is to the left of the chain line. Never use a left-handed grip, or any stance that places your body or arm across the chain line.
4. Never stand directly under the limb you are cutting.
5. Be certain the trigger(8 & 9) are fully tightened before operating equipment; check them periodically for tightness during use to avoid serious injury.
6. Remove the scabbard(25) from the blade before operation. To turn on the machine, you should first push the switch lock button(4) and then press the switch handle(3). Release the switch-handle will make the machine stop.

Sharpening the chain

Be careful to file all cutters to the specified angles and to the same length, as fast cutting can be obtained only when all cutters are uniform.



Tighten the chain tension enough that the chain does not wobble. Do all of your filing at the mid-point of the bar. Wear gloves for protection.

Use a 5/32 in. diameter round file and holder.

Keep the file level with the top plate of the tooth. Do not let the file dip or rock.

Using light but firm pressure, stroke towards the front corner of the tooth. Lift file away from the steel on each return stroke.

Put a few firm strokes on every tooth. File all left hand cutters in one direction. Then move to the other side and file the right-hand cutters in the opposite direction. Occasionally remove filings from the file with a wire brush.



CAUTION! Dull or improperly sharpened chain can cause excessive motor speed during cutting which may result in severe motor damage.



WARNING! Improper chain sharpening increases the potential of kickback. Failure to replace or repair damaged chain can cause serious injury.

Storing the chainsaw

Clean all foreign material from the product. Store idle unit indoors in a dry and well-ventilated area that is inaccessible to children. Keep away from corrosive agents such as garden chemicals and de-icing salts.

Always place the scabbard on the saw bar when transporting or storing the pole chain saw. The scabbard is a snug fit and must be attached very carefully due to the sharp teeth on the saw chain. This is best done by grasping the scabbard at one end, in the centre portion of the scabbard, and carefully sliding it over the chain as shown. Use caution to avoid the sharp teeth of the chain.

NOTE: The saw chain is very sharp. Always wear protective gloves when handling the chain.

Troubleshooting

PROBLEM	POSSIBLE CAUSE	REMEDY
Bar and chain running hot and smoking.	Check chain tension for over tightened condition Bar lube reservoir empty.	Tension chain. Refer to Chain Tension earlier in this manual. Check bar lube reservoir.
Motor runs, but chain is not rotating.	Chain tension too tight. Check guide bar and chain assembly. Check guide bar and chain for damage.	Retention chain. Refer to Chain Tension earlier in this manual. Refer to Replacing the Bar and Chain earlier in this manual. Inspect guide bar and chain

Cleaning and maintenance

- Remove the battery pack from the tool before carrying out any adjustments, service or maintenance.
- Your tool requires no additional lubrication or maintenance.
- There are no user serviceable parts in your tool.
- Never use water or chemical cleaners to clean your tool, wipe clean with a dry cloth always.
- Store your tool in a dry place, keep the motor ventilation slots clean keep all working controls free of dust.

Li-Ion battery care & maintenance

Lithium-Ion rechargeable batteries require routine maintenance and care in their use and handling. Read and follow the guidelines to safely use Lithium-Ion batteries and achieve the maximum battery life span.

- Do not leave batteries unused for extended periods of time, either in the machine or in storage. When a battery has been unused for 3 months or more, check the charge status and charge or dispose of the battery as appropriate.
- The typical estimated life of a Lithium-Ion battery is about two years or 300 charge cycles, whichever occurs first. One charge cycle is a period of use from fully charged, to fully discharged, and fully recharged again.
- Rechargeable Lithium-Ion batteries have a limited life and will gradually lose their capacity to hold a charge. This loss of capacity (aging) is irreversible. As the battery loses capacity, the length of time it will power the product (run time) decreases.
- Lithium-Ion batteries continue to slowly discharge (self-discharge) when not in use or while in storage. Routinely check the battery's charge status.
- Carefully monitor batteries that are approaching the end of their estimated life.
- Consider replacing the battery with a new one if you note either of the following conditions:
 - The battery run time drops below about 60% of the original run time.
 - The battery charge time increases significantly.
- If a battery is stored or otherwise unused for an extended period, follow the storage instructions. If damaged, do not attempt to recharge it or to use it. Replace it with a new battery.

Storage

- Charge or discharge the battery to approximately 50% of capacity before storage.
- Charge the battery to approximately 50% of capacity at least once every six months.
- Remove the battery and store it separately from the product.
- Store the battery at temperatures between 5°C and 20°C (41°F and 68°F). **Please note:** Higher temperatures (above 20°C or 68°F) reduce the battery storage life.

Declaration of Conformity
In accordance with EN ISO 17050-1:2010

We Branded Garden Products Ltd
of Poplar Lane, Ipswich, Suffolk, IP8 3BU UK

in accordance to the following Directives:

2014/30/EU	The Electromagnetic Compatibility Directive
2006/42/EC	The Machinery Directive
2000/14/EC	The Noise Emission in the Environment by Equipment for Use Outdoors Directive
2011/65/EU	Restriction of Hazardous Substances Directive
2012/19	Waste Electrical and Electronic Equipment Directive
94/62/EC	Packaging and Waste
2009/125/EC	Ecodesign Requirements for Energy-Related Products

hereby declare that:

Equipment	Garden Gear 20V Telescopic Chainsaw
Model number	G4801 / ASYPCS120020

is in conformity with the applicable requirements of the following documents

Ref. No.

Chainsaw: EN 55014-1:2017/A11:2020; EN 55014-2:1997/A2:2008; EN IEC 55014-1:2021; EN IEC 55014-2:2021 ; IEC 62841-1:2015; EN ISO 11680-1:2021; EK9- BE-98(v2):2020.

Charger: EN 60335-2-29:2004/A11:2018; EN 60335-1:2012/A2:2019; EN 62233:2008; AfPS GS 2019: 01 PAK; EN IEC 55014-1:2021; EN IEC 55014-2:2021; EN IEC 61000-6-1:2019; EN IEC 61000-6-3:2021; EN IEC 61000-3-2:2019/A1:2021; EN 61 000-3-3:2013/A1:2019.

Noise measurements have been made in accordance with EN ISO11680-1 with internal control of production (Schedule 8 / Annex V). The declared noise values are as follows:

Measured sound power level	Guaranteed sound pressure level
94.0 dB LwA	79.5 dB LpA

I hereby declare that the equipment named above has been designed to comply with the relevant sections of the above referenced specifications and is in accordance with the requirements of the Directives.

Signed by:



Mr Chris Wright
Managing Director
October 2022



The technical documentation for the machinery is available from:
Poplar Lane, Ipswich, Suffolk, IP8 3BU, UK

GUARANTEE

IMPORTANT

**Please do not return this product without first calling the Customer Service number below:
0871 911 7031***

Thank you for purchasing this product, which has been made to demanding high quality standards and is guaranteed for domestic use against manufacturing faults for a period of 12 months from the date of purchase.

Register your product for an extended 2-year warranty by visiting our website www.gardengearonline.co.uk. The product must be registered, along with your contact information, within 30 days of purchase. For full terms and conditions please visit our website.

This guarantee does not affect your statutory rights. If your product fails due to a defect in material or workmanship during this period, please return it to the place of purchase. Normal wear and tear is not covered under the guarantee.

Any guarantee is invalid if the product has been misused or subject to neglect or an attempted repair other than by our own service centre.

Due to continuous product improvement, we reserve the right to change the product specification without prior notice.

After Sales Customer Service:

Branded Garden Products Ltd, Premier House, Hortonwood 7, Telford, TF1 7GP, UK

Telephone: 0871 911 7031*

E-mail customerservice@gardengearonline.co.uk

Please retain for future reference.

Colours and contents may vary.

Waste electrical products should not be disposed of with household waste.

Please recycle where facilities exist. Check with your Local Authority or retailer for recycling advice.

Please note that all products with the symbol below must be recycled.



*Calls cost 13p per minute, plus your phone company's access charge